



Rod Ends and Spherical Plain Bearings



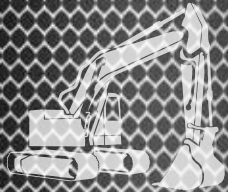
Dunlop BTL Ltd - Ashford European Distribution Centre

MPT House, Brunswick Road
Cobbs Wood Industrial Estate
Ashford, Kent
TN23 1EL , United Kingdom



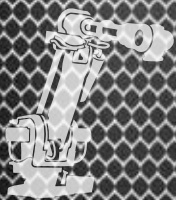
Contact us

- +44 (0)1233 663340
- +44 (0)1233 664440
- sales@dunlopbt.com
- www.dunlopbt.com



Manufacturing Facilities

- UNITED KINGDOM
- FRANCE
- GERMANY
- ITALY
- SPAIN
- POLAND
- CZECH REPUBLIC
- SLOVAKIA
- SERBIA
- CHINA
- USA



Dunlop BTL Ltd - Consett UK Manufacturing Centre

Unit 46, Werdolh Way,
No 1 Industrial Estate,
Consett, County Durham
DH8 6SZ , United Kingdom





Manufacturing Facilities, Consett, Co. Durham UK

Unit 46, Werdolh Way,
No 1 Industrial Estate,
Consett, County Durham
DH8 6SZ , United Kingdom

European Distribution Centre, Ashford, Kent UK

MPT House, Brunswick Road
Cobbs Wood Industrial Estate
Ashford, Kent
TN23 1EL , United Kingdom

“We are proud to be a European manufacturer; it is a privilege to supply our products to some of the world’s most prestigious original equipment manufacturers in the Agricultural, Automotive, Construction, Industrial and Motor Sport sectors”.

“Our distributor network is vital to the continued global growth of the DUNLOP brand and our valued distributor partners form the perfect link between manufacturer and end user”.

“Our commitment to our staff, our customers and the environment is of paramount importance to our company, we will continue to develop our organisational skills to further enhance our company’s potential, to engage in sustainable practices and anticipate the needs and expectations of our customers”.

“At Dunlop BTL we love our products”.

Ray Mifsud, *Managing Director.*



English



Español



Italiano



Deutsch



Français



Nederlands



Polskie

MP series

Serie MP • Serie MP • MP-Serie

Série MP • MP-serie • seria MP

18

MH series

Serie MH • Serie MH • MH-Serie

Série MH • MH-serie • seria MH

22

RM series

Serie RM • Serie RM • RM-Serie

Série RM • RM-serie • seria RM

25

MB series

Serie MB • Serie MB • MB-Serie

Série MB • MB-serie • seria MB

27

MS series

Serie MS • Serie MS • MS-Serie

Série MS • MS-serie • seria MS

30

MSX series

Serie MSX • Serie MSX • MSX-Serie

Série MSX • MSX-serie • seria MSX

34

MX series

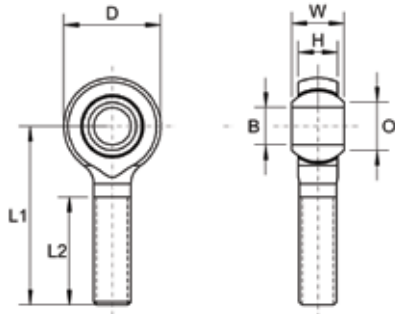
Serie MX • Serie MX • MX-Serie

Série MX • MX-serie • seria MX

36



MALE ROD ENDS



MP-SERIES: MP – MPS – MP SS

Description

MP-Series is our 3-piece standard range of self lubricating general purpose male rod ends suitable for light to medium heavy industrial/mechanical load applications requiring low friction and good wear resistance, available in both metric and imperial bore and thread sizes. They have excellent moisture resistance and require no maintenance and have a wide operating temperature range.

Material Specifications

Housing: Steel 230M07PB. and forged 080M46, zinc plated and clear trivalent plastic and stainless steel 303L & 304 forged. Race: GR-nylon LV-3H. Ball: Bearing steel 100Cr6, hardened and electroless nickel plated and stainless steel 440C and *SAE660. Stud: Steel 230M07PB zinc plated and clear trivalent passivate and stainless steel 303L.

Features

- Metric & imperial thread & bore sizes
- Low friction
- Self-lubricating
- Good wear resistance
- Excellent moisture resistance
- Studded option

Possible Applications

- Light to medium/heavy industrial/mechanical applications
- Construction equipment
- Agricultural equipment
- Recreational vehicles
- Precision equipment
- No maintenance
- Linear movement

Temperature Range

-30°C to +170°C

Specification

ELV & RoHS compliant

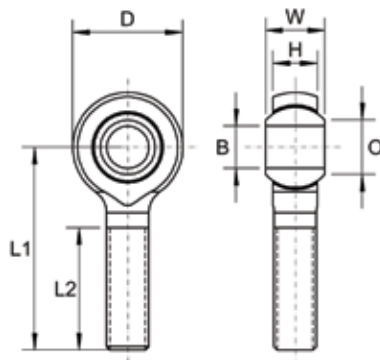
Interchange table

Dunlop	Rose	Tuthill	Alinabal	SKF	Asahi	IKO
MP-M (metric)	MMP	MJ-M	MPM-M	SAKB-M	JAM EC	POS-EC
MP (imperial)	RMP	MJ	PM-	-	-	POSB-EC

Note: Manufacturers part numbers are used for descriptive purposes only and may not be direct equivalent products.



MP SERIES: MAINTENANCE FREE ROD ENDS WITH MALE THREAD (METRIC)



Housing: Steel 230M07Pb (Sizes M03 – M12)
 Forged 080M46 (Sizes M14 – M25)
 Zinc Plated and Clear Trivalent Passivate

Race: GR-Nylon, LV-3H

Ball: Bearing Steel 100Cr6, Hardened and Electro-less Nickel Plated

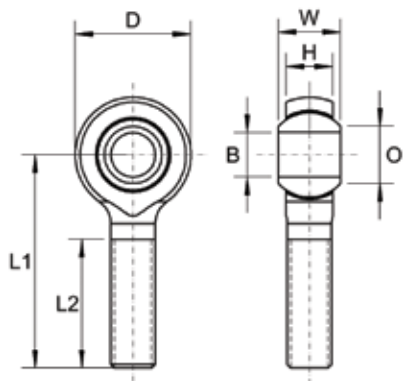
Specification: ELV and RoHS Compliant



Part No. Right Hand	Part No. Left Hand	Bore Size	Thread	W	H	D	L1	L2	O	Static Load Rating (Newtons) Radial
MP-M03	MPL-M03	3	M3X0.50	6	4.50	12	27	15	5.20	3,040
MP-M04-3	MPL-M04-3	3	M4X0.70	7	5.00	14	30	18	6.30	4,060
MP-M04	MPL-M04	4	M4X0.70	7	5.00	14	30	18	6.30	4,060
MP-M05-4	MPL-M05-4	4	M5X0.80	8	6.00	16	33	20	7.50	5,340
MP-M05	MPL-M05	5	M5X0.80	8	6.00	16	33	20	7.50	5,340
MP-M06-5	MPL-M06-5	5	M6X1.00	9	6.75	18	36	22	9.30	7,720
MP-M06	MPL-M06	6	M6X1.00	9	6.75	18	36	22	9.30	7,720
MP-M08-6	MPL-M08-6	6	M8X1.25	12	9.00	22	42	25	10.40	12,775
MP-M08-6C	MPL-M08-6C	6	M8X1.00	12	9.00	22	42	25	10.40	12,775
MP-M08	MPL-M08	8	M8X1.25	12	9.00	22	42	25	10.40	12,775
MP-M08C	MPL-M08C	8	M8X1.00	12	9.00	22	42	25	10.40	12,775
MP-M10-8	MPL-M10-8	8	M10X1.50	14	10.50	26	48	29	12.90	16,960
MP-M10-8C	MPL-M10-8C	8	M10X1.25	14	10.50	26	48	29	12.90	16,960
MP-M10	MPL-M10	10	M10X1.50	14	10.50	26	48	29	12.90	16,960
MP-M10C	MPL-M10C	10	M10X1.25	14	10.50	26	48	29	12.90	16,960
MP-M12-10	MPL-M12-10	10	M12X1.75	16	12.00	30	54	33	15.40	22,900
MP-M12-10C	MPL-M12-10C	10	M12X1.25	16	12.00	30	54	33	15.40	22,900
MP-M12	MPL-M12	12	M12X1.75	16	12.00	30	54	33	15.40	22,900
MP-M12C	MPL-M12C	12	M12X1.25	16	12.00	30	54	33	15.40	22,900
MP-M14-12	MPL-M14-12	12	M14X2.00	19	13.50	34	60	36	16.80	28,950
MP-M14-12C	MPL-M14-12C	12	M14X1.50	19	13.50	34	60	36	16.80	28,950
MP-M14	MPL-M14	14	M14X2.00	19	13.50	34	60	36	16.80	28,950
MP-M14C	MPL-M14C	14	M14X1.50	19	13.50	34	60	36	16.80	28,950
MP-M16-14	MPL-M16-14	14	M16X2.00	21	15.00	38	66	40	19.30	37,130
MP-M16-14C	MPL-M16-14C	14	M16X1.50	21	15.00	38	66	40	19.30	37,130
MP-M16	MPL-M16	16	M16X2.00	21	15.00	38	66	40	19.30	37,130
MP-M16C	MPL-M16C	16	M16X1.50	21	15.00	38	66	40	19.30	37,130
MP-M18-16C	MPL-M18-16C	16	M18X1.50	23	16.50	46	72	43	21.80	45,730
MP-M18C	MPL-M18C	18	M18X1.50	23	16.50	46	72	43	21.80	45,730
MP-M20-18	MPL-M20-18	18	M20X2.50	25	18.00	50	78	46	24.50	55,240
MP-M20-18C	MPL-M20-18C	18	M20X1.50	25	18.00	50	78	46	24.50	55,240
MP-M20	MPL-M20	20	M20X2.50	25	18.00	50	78	46	24.50	55,240
MP-M20C	MPL-M20C	20	M20X1.50	25	18.00	50	78	46	24.50	55,240
MP-M22	MPL-M22	22	M22X1.50	28	20.00	54	84	51	25.80	57,420
MP-M25	MPL-M25	25	M24X2.00	31	22.00	60	94	57	29.60	67,140

For stainless steel add 'SS' to part no. For example 'MP-M03 SS'

MP SERIES: MAINTENANCE FREE ROD ENDS WITH MALE THREAD (IMPERIAL)



Housing: Steel 230M07Pb (Sizes 03 - 07)
 Forged 080M46 (Sizes 08 - 16)
 Zinc Plated and Clear Trivalent Passivate

Race: GR-Nylon, LV-3H

Ball: Bearing Steel 100Cr6, Hardened and Electro-less Nickel Plated

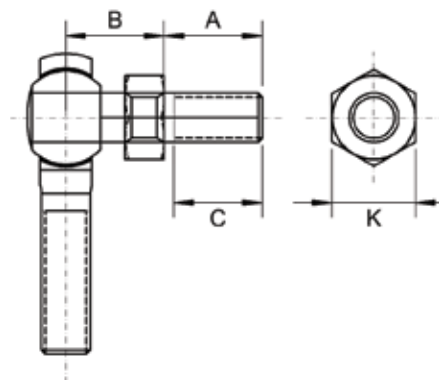
Specification: ELV and RoHS Compliant



Part No. Right Hand	Part No. Left Hand	Bore Size	Thread	W	H	D	L1	L2	O	Static Load Rating (Newtons) Radial
MP-03	MPL-03	3/16	10-32 UNF	0.312	0.250	0.625	1.250	0.750	0.306	5,340
MP-04-3	MPL-04-3	3/16	1/4 UNF	0.375	0.281	0.750	1.562	1.000	0.354	8,450
MP-04	MPL-04	1/4	1/4 UNF	0.375	0.281	0.750	1.562	1.000	0.354	8,450
MP-04F	MPL-04F	1/4	1/4 BSF	0.375	0.281	0.750	1.562	1.000	0.354	8,450
MP-05-4	MPL-05-4	1/4	5/16 UNF	0.437	0.344	0.875	1.875	1.250	0.447	12,010
MP-05-4F	MPL-05-4F	1/4	5/16 BSF	0.437	0.344	0.875	1.875	1.250	0.447	12,010
MP-05	MPL-05	5/16	5/16 UNF	0.437	0.344	0.875	1.875	1.250	0.447	12,010
MP-05F	MPL-05F	5/16	5/16 BSF	0.437	0.344	0.875	1.875	1.250	0.447	12,010
MP-06-5	MPL-06-5	5/16	3/8 UNF	0.500	0.406	1.000	1.938	1.250	0.516	16,900
MP-06-5F	MPL-06-5F	5/16	3/8 BSF	0.500	0.406	1.000	1.938	1.250	0.516	16,900
MP-06	MPL-06	3/8	3/8 UNF	0.500	0.406	1.000	1.938	1.250	0.516	16,900
MP-06/1	MPL-06/1	10mm	3/8 UNF	0.500	0.406	1.000	1.938	1.250	0.516	16,900
MP-06/2	MPL-06/2	3/8 HEX	3/8 UNF	0.500	0.406	1.000	1.938	1.250	0.516	16,900
MP-06F	MPL-06F	3/8	3/8 BSF	0.500	0.406	1.000	1.938	1.250	0.516	16,900
MP-07-6	MPL-07-6	3/8	7/16 UNF	0.562	0.437	1.125	2.125	1.375	0.586	19,750
MP-07-6F	MPL-07-6F	3/8	7/16 BSF	0.562	0.437	1.125	2.125	1.375	0.586	19,750
MP-07	MPL-07	7/16	7/16 UNF	0.562	0.437	1.125	2.125	1.375	0.586	19,750
MP-07F	MPL-07F	7/16	7/16 BSF	0.562	0.437	1.125	2.125	1.375	0.586	19,750
MP-08-7	MPL-08-7	7/16	1/2 UNF	0.625	0.500	1.312	2.438	1.500	0.700	28,900
MP-08-7F	MPL-08-7F	7/16	1/2 BSF	0.625	0.500	1.312	2.438	1.500	0.700	28,900
MP-08	MPL-08	1/2	1/2 UNF	0.625	0.500	1.312	2.438	1.500	0.700	28,900
MP-08F	MPL-08F	1/2	1/2 BSF	0.625	0.500	1.312	2.438	1.500	0.700	28,900
MP-10-8	MPL-10-8	1/2	5/8 UNF	0.750	0.562	1.500	2.625	1.625	0.811	32,000
MP-10-8F	MPL-10-8F	1/2	5/8 BSF	0.750	0.562	1.500	2.625	1.625	0.811	32,000
MP-10	MPL-10	5/8	5/8 UNF	0.750	0.562	1.500	2.625	1.625	0.811	32,000
MP-10F	MPL-10F	5/8	5/8 BSF	0.750	0.562	1.500	2.625	1.625	0.811	32,000
MP-12-10	MPL-12-10	5/8	3/4 UNF	0.875	0.685	1.750	2.875	1.750	0.978	52,400
MP-12-10F	MPL-12-10F	5/8	3/4 BSF	0.875	0.685	1.750	2.875	1.750	0.978	52,400
MP-12	MPL-12	3/4	3/4 UNF	0.875	0.685	1.750	2.875	1.750	0.978	52,400
MP-12F	MPL-12F	3/4	3/4 BSF	0.875	0.685	1.750	2.875	1.750	0.978	52,400
MP-16-12	MPL-16-12	3/4	1" UNF	1.375	1.00	2.750	4.125	2.125	1.486	65,200
MP-16-12F	MPL-16-12F	3/4	1" BSF	1.375	1.00	2.750	4.125	2.125	1.486	65,200
MP-16	MPL-16	1	1" UNF	1.375	1.00	2.750	4.125	2.125	1.486	65,200
MP-16F	MPL-16F	1	1" BSF	1.375	1.00	2.750	4.125	2.125	1.486	65,200

For stainless steel add 'SS' to part no. For example 'MP-03 SS'

MPS SERIES: STUDED MALE ROD ENDS (METRIC)



- Housing:** Steel 230M07Pb (Sizes M05 – M12 & 03 – 07)
Forged 080M46 (Sizes M14 – M16 & 08 - 10)
Zinc Plated and Clear Trivalent Passivated
- Race:** GR-Nylon, LV-3H
- Ball:** Bearing Steel 100Cr6, Hardened and Electro-less Nickel Plated
- Stud:** Steel 230M07Pb, Zinc Plated and Clear Trivalent Passivated
- Specification:** ELV and RoHS Compliant



Part No. Right Hand	Part No. Left Hand	Stud Size	Thread	A	B	C	K	Static Load Rating (Newtons) Radial
MP-M05S	MPL-M05S	M5X0.80	M5X0.80	10	10	8	9	1,200
MP-M06-5S	MPL-M06-5S	M5X0.80	M6X1.00	12	12	10	10	1,200
MP-M06S	MPL-M06S	M6X1.00	M6X1.00	12	12	10	10	1,930
MP-M08-6S	MPL-M08-6S	M6X1.00	M8X1.25	16	16	14	13	1,930
MP-M08S	MPL-M08S	M8X1.25	M8X1.25	16	16	14	13	3,190
MP-M10-8S	MPL-M10-8S	M8X1.25	M10X1.50	20	20	18	17	3,190
MP-M10S	MPL-M10S	M10X1.50	M10X1.50	20	20	18	17	4,240
MP-M12-10S	MPL-M12-10S	M10X1.50	M12X1.75	24	24	21	19	4,240
MP-M12S	MPL-M12S	M12X1.75	M12X1.75	24	24	21	19	5,720
MP-M14-12S	MPL-M14-12S	M12X1.75	M14X2.00	28	28	25	22	5,720
MP-M14S	MPL-M14S	M14X2.00	M14X2.00	28	28	25	22	7,200
MP-M16-14S	MPL-M16-14S	M14X2.00	M16X2.00	29	29	24	24	7,200
MP-M16S	MPL-M16S	M16X2.00	M16X2.00	29	29	24	24	9,000

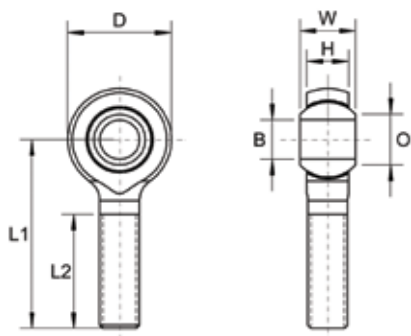
MPS SERIES: STUDED MALE ROD ENDS (IMPERIAL)

Part No. Right Hand	Part No. Left Hand	Stud Size	Thread	A	B	C	K	Static Load Rating (Newtons) Radial
MP-03S	MPL-03S	3/16UNF	3/16 UNF	0.500	0.516	0.437	0.312	1,200
MP-04-3S	MPL-04-3S	3/16 UNF	1/4 UNF	0.562	0.485	0.500	0.375	1,200
MP-04S	MPL-04S	1/4 UNF	1/4 UNF	0.562	0.485	0.500	0.375	1,930
MP-05-4S	MPL-05-4S	1/4 UNF	5/16 UNF	0.687	0.547	0.594	0.437	1,930
MP-05S	MPL-05S	5/16 UNF	5/16 UNF	0.687	0.547	0.594	0.437	3,190
MP-06-5S	MPL-06-5S	5/16 UNF	3/8 UNF	0.906	0.562	0.812	0.500	3,190
MP-06S	MPL-06S	3/8 UNF	3/8 UNF	0.906	0.562	0.812	0.500	4,240
MP-07-6S	MPL-07-6S	3/8 UNF	7/16 UNF	1.125	0.843	1.000	0.625	4,240
MP-07S	MPL-07S	7/16 UNF	7/16 UNF	1.125	0.843	1.000	0.625	5,720
MP-08-7S	MPL-08-7S	7/16 UNF	1/2 UNF	1.125	0.875	1.000	0.625	5,720
MP-08S	MPL-08S	1/2 UNF	1/2 UNF	1.125	0.875	1.000	0.625	7,200
MP-10-8S	MPL-10-8S	1/2 UNF	5/8 UNF	1.125	1.000	1.000	0.750	7,200
MP-10S	MPL-10S	5/8 UNF	5/8 UNF	1.125	1.000	1.000	0.750	9,000

For stainless steel add 'SS' to part no. For example 'MP-M05S SS'



MALE ROD ENDS



MH SERIES: MH - MHS - MH SS

Description:

MH series is our 3-piece unique internationally patented range of male rod ends incorporating a polyurethane bearing race that provides ultra smooth operation. A nitrotec surface protected ball with a PTFE lubricant provide superior shock load and extended wear properties, combined with excellent chemical and corrosion resistance. The unique innovative captive body design prevents detachment through excessive axial loads. For optimum performance, ensure that the rod end is mounted with the moulded lettering facing away from the direction of pull.

Material Specifications:

Housing: Steel 230M07PB zinc plated and clear trivalent passivate. Race: Polyurethane. Ball: 230M07PB nitrotec finish. Stud: Steel 230M07PB zinc plated and clear trivalent passivate and stainless steel 303C. Lubricant: Uniflor oil.

Features:

- Metric & imperial sizes
- Ultra low friction
- High shock loads
- Extended wear life
- No maintenance
- Studded option

Possible Applications:

- Light to medium
- Construction equipment
- Agricultural equipment
- Recreational vehicles
- High precision motion control
- Safety features

Temperature Range:

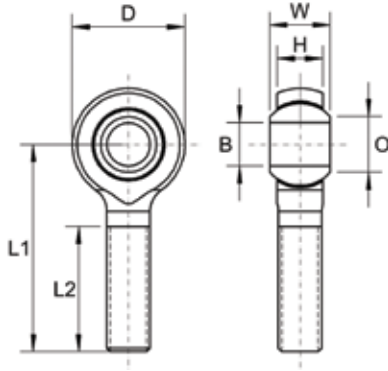
-40°C to + 80°C

Specification:

ELV & RoHS compliant



MH SERIES: MAINTENANCE FREE ROD ENDS WITH MALE THREAD (METRIC)



Housing: Steel 230M07Pb, Zinc Plated and Clear Trivalent Passivate

Race: Polyurethane

Ball: Steel 230M07Pb – Nitrotec Surface Protection

Lubricant: Uniflor Oil

Specification: ELV and RoHS Compliant

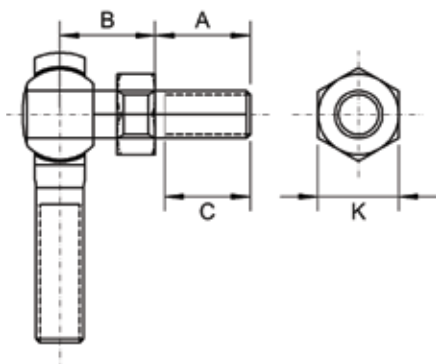


Part No. Right Hand	Part No. Left Hand	Bore Size	Thread	W	H	D	L1	L2	O	Static Load Rating (Newtons) Radial
MH-M06	MHL-M06	6	M6X1.00	9	6.75	20	36	21	8.90	9,806
MH-M08	MHL-M08	8	M8X1.25	12	9.00	24	42	25	10.35	17,652
MH-M08C	MHL-M08C	8	M8X1.00	12	9.00	24	42	25	10.35	17,652
MH-M10	MHL-M10	10	M10X1.50	14	10.50	28	48	28	12.85	21,575
MH-M10C	MHL-M10C	10	M10X1.25	14	10.50	28	48	28	12.85	21,575

MH SERIES: MAINTENANCE FREE ROD ENDS WITH MALE THREAD (IMPERIAL)

Part No. Right Hand	Part No. Left Hand	Bore Size	Thread	W	H	D	L1	L2	O	Static Load Rating (Newtons) Radial
MH-04	MHL-04	1/4	1/4 UNF	0.354	0.266	0.787	1.417	0.827	0.350	9,806
MH-04F	MHL-04F	1/4	1/4 BSF	0.354	0.266	0.787	1.417	0.827	0.350	9,806
MH-05	MHL-05	5/16	5/16 UNF	0.472	0.354	0.945	1.654	0.984	0.406	17,652
MH-05F	MHL-05F	5/16	5/16 BSF	0.472	0.354	0.945	1.654	0.984	0.406	17,652
MH-06	MHL-06	3/8	3/8 UNF	0.551	0.413	1.102	1.890	1.102	0.508	21,575
MH-06F	MHL-06F	3/8	3/8 BSF	0.551	0.413	1.102	1.890	1.102	0.508	21,575
MH-07	MHL-07	7/16	7/16 UNF	0.562	0.437	1.201	2.118	1.323	0.585	23,540
MH-07F	MHL-07F	7/16	7/16 BSF	0.562	0.437	1.201	2.118	1.323	0.585	23,540
MH-08	MHL-08	1/2	1/2 UNF	0.628	0.472	1.250	2.441	1.457	0.610	25,890
MH-08F	MHL-08F	1/2	1/2 BSF	0.628	0.472	1.250	2.441	1.457	0.610	25,890
MH-10	MHL-10	5/8	5/8 UNF	0.750	0.560	1.503	2.625	1.575	0.811	34,520
MH-10F	MHL-10F	5/8	5/8 UNF	0.750	0.560	1.503	2.625	1.575	0.811	34,520
MH-12	MHL-12	3/4	3/4 UNF	0.875	0.689	1.75	2.875	1.75	0.978	52,000
MH-12F	MHL-12F	3/4	3/4 BSF	0.875	0.689	1.75	2.875	1.75	0.978	52,000

MHS SERIES: MAINTENANCE FREE ROD ENDS WITH MALE THREAD (METRIC)



Housing: Steel 230M07Pb, Zinc Plated and Clear Trivalent Passivated

Race: Polyurethane

Ball: Steel 230M07Pb – Nitrotec Surface Protection

Lubricant: Uniflor Oil

Stud: Steel 230M07Pb, Zinc Plated and Clear. Trivalent Passivated

Specification: ELV and RoHS Compliant



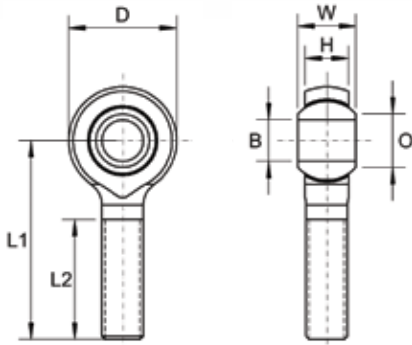
Part No. Right Hand	Part No. Left Hand	Stud size	Thread	A	B	C	K	Static Load Rating (Newtons) Radial
MH-M06S	MHL-M06S	M6X1.00	M6X1.00	12.5	11.0	10.5	8	1,930
MH-M08S	MHL-M08S	M8X1.25	M8X1.25	16.5	13.0	14.5	11	3,190
MH-M10S	MHL-M10S	M10X1.50	M10X1.50	20.0	16.0	18.0	13	4,240
MH-M10CS	MHL-M10CS	M10X1.50	M10X1.25	20.0	16.0	18.0	13	4,240
MH-M12S	MHL-M12S	M12X1.75	M12X1.75	20.0	13.0	18.0	16	5,720
MH-M12CS	MHL-M12CS	M12X1.75	M12X1.25	20.0	13.0	18.0	16	5,720

MHS SERIES: MAINTENANCE FREE ROD ENDS WITH MALE THREAD (IMPERIAL)

Part No. Right Hand	Part No. Left Hand	Stud Size	Thread	A	B	C	K	Static Load Rating (Newtons) Radial
MH-04S	MHL-04S	1/4 UNF	1/4 UNF	0.492	0.433	0.412	5/16	1,930
MH-04FS	MHL-04FS	1/4 UNF	1/4 BSF	0.492	0.433	0.412	5/16	1,930
MH-05S	MHL-05S	5/16 UNF	5/16 UNF	0.650	0.512	0.570	7/16	3,190
MH-05FS	MH-05FS	5/16 UNF	5/16 BSF	0.650	0.512	0.570	7/16	3,190
MH-06S	MH-06S	3/8 UNF	3/8 UNF	0.787	0.630	0.707	1/2	4,240
MH-06FS	MH-06FS	3/8 UNF	3/8 BSF	0.787	0.630	0.707	1/2	4,240
MH-07S	MH-07S	7/16 UNF	7/16 UNF	0.945	0.750	0.865	1/2	5,720
MH-07FS	MH-07FS	7/16 UNF	7/16 BSF	0.945	0.750	0.865	1/2	5,720
MH-08S	MHL-08S	1/2 UNF	1/2 UNF	1.100	0.866	0.945	9/16	7,200
MH-08FS	MHL-08FS	1/2 UNF	1/2 BSF	1.100	0.866	0.945	9/16	7,200



MALE ROD ENDS



RM SERIES: RM - RMS - RM SS

Description:

RM series is our 3-piece thin series range of male rod ends that have been specifically designed for use with other linkage components such as clevises etc, The RM-Series design allows the rod ends head and ball to neatly slide inside of its mating clevises fork end, ideal for fitting to pre-assembled linkages. Metric and imperial bore and thread sizes are available. Standard product is supplied with a frictional load on the bearing ball, recommended for applications where misalignment may arise in an assembly.

Material Specifications:

Housing: Steel 230M07Pb, zinc plated and clear trivalent passivate. Race: Nylon 66 glass filled with molybdenum disulphide. Ball: Bearing steel 100Cr6, hardened and electroless nickel plated and. Stud: Steel 230M07PB zinc plated and clear trivalent passivate and stainless steel 303L.

Features:

- Metric thread & bore sizes
- Friction load
- High shock loads
- Thin section
- No maintenance
- Studded option

Possible Applications:

- Light to medium industrial/mechanical applications
- Construction equipment
- Agricultural equipment
- Recreational vehicles

Temperature Range:

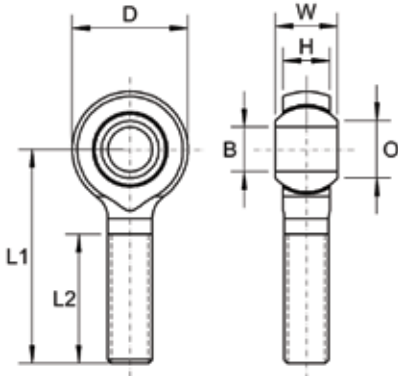
-30°C to + 120°C

Specification:

ELV & RoHS compliant



RM SERIES: MAINTENANCE FREE ROD ENDS WITH MALE THREAD (METRIC)



Housing: Steel 230M07Pb, Zinc Plated and Clear Trivalent Passivate

Race: Nylon 66

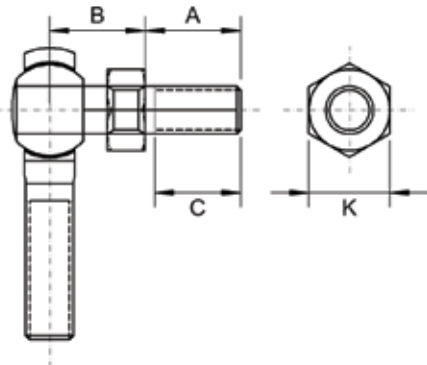
Ball: Bearing Steel 100Cr6, Hardened and Electro-less Nickel Plated

Specification: ELV and RoHS Compliant



Part No. Right Hand	Part No. Left Hand	Bore Size	Thread	W	H	D	L1	L2	O	Static Load Rating (Newtons) Radial
RMM6	RMM6LH	6	M6X1.00	6	4	21	36	22	8.00	1,930
RMM8	RMM8LH	8	M8X1.25	8	6	24	42	24	10.25	3,190
RMM8C	RMM8CLH	8	M8X1.00	8	6	24	42	24	10.25	3,190
RMM10	RMM10LH	10	M10X1.50	9	7	29	48	29	13.23	4,240
RMM10C	RMM10CLH	10	M10X1.25	9	7	29	48	29	13.23	4,240

RMS SERIES: MAINTENANCE FREE ROD ENDS WITH MALE THREAD (METRIC)



Housing: Steel 230M07Pb, Zinc Plated and Clear Trivalent Passivate

Race: Nylon 66

Ball: Bearing Steel 100Cr6, Hardened and Electro-less Nickel Plated

Stud: Steel 230M07Pb, Zinc Plated and Clear Trivalent Passivate

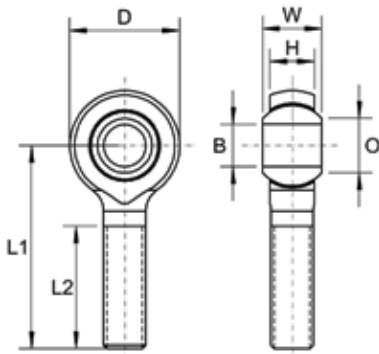
Specification: ELV and RoHS Compliant



Part No. Right Hand	Part No. Left Hand	Stud Size	Thread	A	B	C	K	Static Load Rating (Newtons) Radial
RMM6S	RMM6SLH	M6X1.00	M6X1.00	12.5	11.0	10.5	8	1,930
RMM8S	RMM8SLH	M8X1.25	M8X1.25	16.5	13.0	14.5	11	3,190
RMM8CS	RMM8CSLH	M8X1.25	M8X1.00	16.5	13.0	14.5	11	3,190
RMM10S	RMM10SLH	M10X1.50	M10X1.50	20.0	16.0	12.0	13	4,240
RMM10CS	RMM10CSLH	M10X1.5	M10X1.25	20.0	16.0	12.0	13	4,240



MALE ROD ENDS



MB SERIES: MB – MBS

Description:

MB Series is our 3-piece standard range of maintenance required general purpose male rod ends suitable for medium heavy industrial/mechanical load applications requiring low friction and good wear resistance, available in both metric and imperial bore and thread sizes. An oil impregnated sintered bronze race is also available for some sizes or if quantity justifies production, suitable for high precision motion transfer applications and extended wear life.

Material Specifications:

Housing: Steel 230M07PB and forged 080M46, zinc plated and clear trivalent passivate. Race: Bronze SAE660. Ball: Bearing steel 100Cr6, hardened and electroless nickel plated.

Stud: Steel 230M07PB zinc plated and clear trivalent passivate.

Features:

- Metric & imperial thread & bore sizes
- Low friction
- Self-lubricating option available
- Extended wear life
- Maintenance required
- Studded option

Possible Applications

- Medium/heavy industrial/mechanical applications
- Construction equipment
- Agricultural equipment
- Recreational vehicles
- Precision equipment

Temperature Range:

-34°C to +149°C

Specification:

ELV & RoHS compliant

Interchange table

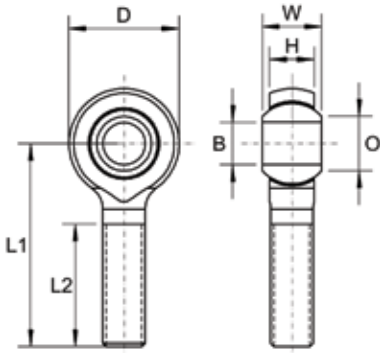
Dunlop	Rose	Tuthill	Alinabal	SKF	Asahi	IKO	Fluro
MB-M (metric)	MM	MB-M	MVM-M	SAKAC-M	JAM	POS	GAS
MB (imperial)	RM-U	MB	VM-G	-	-	POSB	-

Note: Manufacturers part numbers are used for descriptive purposes only and may not be direct equivalent products.



For stainless steel add 'SS' to part no. For example 'MB-M03 SS'

MB SERIES: MAINTENANCE REQUIRED - ROD ENDS WITH MALE THREAD (METRIC)



Housing: Steel 230M07Pb (Sizes M03 – M12),
Forged 080M46 (Sizes M14 – M25),
Zinc Plated and Clear Trivalent Passivate

Race: Bronze SAE660

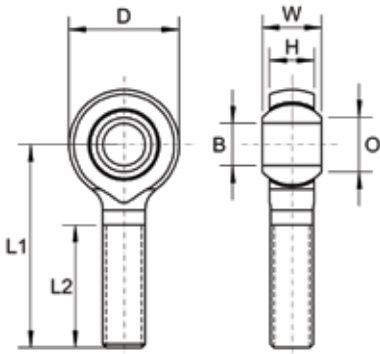
Ball: Bearing Steel 100Cr6, Hardened
Electro-less Nickel Plated

Specification: ELV and RoHS Compliant



Part No. Right Hand	Part No. Left Hand	Bore Size	Thread	W	H	D	L1	L2	O	Static Load Rating (Newtons) Radial
MB-M03	MBL-M03	3	M3X0.50	6	4.50	12	27	15	5.20	3,648
MB-M04	MBL-M04	4	M4X0.70	7	5.00	14	30	18	6.30	4,960
MB-M05	MBL-M05	5	M5X0.80	8	6.00	16	33	20	7.50	6,360
MB-M06	MBL-M06	6	M6X1.00	9	6.75	18	36	22	9.30	6,820
MB-M08	MBL-M08	8	M8X1.25	12	9.00	22	42	25	10.40	10,450
MB-M10	MBL-M10	10	M10X1.50	14	10.50	26	48	29	12.90	14,000
MB-M12	MBL-M12	12	M12X1.75	16	12.00	30	54	33	15.40	18,745
MB-M14	MBL-M14	14	M14X2.00	19	13.50	34	60	36	16.80	22,125
MB-M16	MBL-M16	16	M16X2.00	21	15.00	38	66	40	19.30	23,700
MB-M18C	MBL-M18C	18	M18X1.50	23	16.50	46	72	43	21.80	25,600
MB-M20	MBL-M20	20	M20X2.50	25	18.00	50	78	46	24.50	28,640
MB-M22	MBL-M22	22	M22X1.50	28	20.00	54	84	51	25.80	34,200
MB-M25	MBL-M25	25	M24X2.00	31	22.00	60	94	57	29.60	47,750

MB SERIES: MAINTENANCE REQUIRED - ROD ENDS WITH MALE THREAD (IMPERIAL)



Housing: Steel 230M07Pb (Sizes 03 - 07),
Forged 080M46 (Sizes 08 - 16),
Zinc Plated and Clear Trivalent Passivate

Race: Bronze SAE660

Ball: Bearing Steel 100Cr6, Hardened
and Electro-less Nickel Plated

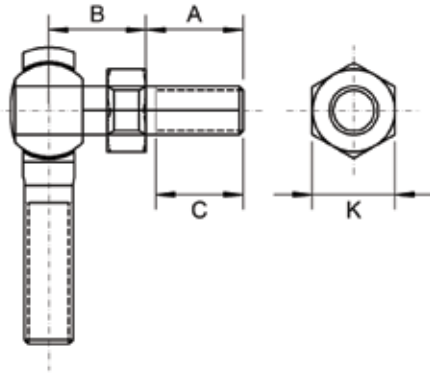
Specification: ELV and RoHS Compliant



Part No. Right Hand	Part No. Left Hand	Bore Size	Thread	W	H	D	L1	L2	O	Static Load Rating (Newtons) Radial
MB-03	MBL-03	3/16	10-32 UNF	0.312	0.250	0.625	1.250	0.750	0.306	6,360
MB-04	MBL-04	1/4	1/4 UNF	0.375	0.281	0.750	1.562	1.000	0.354	6,820
MB-05	MBL-05	5/16	5/16 UNF	0.437	0.344	0.875	1.875	1.250	0.447	10,450
MB-06	MBL-06	3/8	3/8 UNF	0.500	0.406	1.000	1.938	1.250	0.516	13,640
MB-07	MBL-07	7/16	7/16 UNF	0.562	0.437	1.125	2.125	1.375	0.586	16,360
MB-08	MBL-08	1/2	1/2 UNF	0.625	0.500	1.312	2.438	1.500	0.700	19,545
MB-10	MBL-10	5/8	5/8 UNF	0.750	0.562	1.500	2.625	1.625	0.811	22,500
MB-12	MBL-12	3/4	3/4 UNF	0.875	0.685	1.750	2.875	1.750	0.978	28,640
MB-16	MBL-16	1	1" UNF	1.375	1.00	2.750	4.125	2.125	1.486	47,500

An oil impregnated Sintered Bronze race is also available for many sizes or if quantity justifies production. This will offer extended life without the need for routine maintenance i.e. maintenance free, add suffix "SPB" to part number for example MB-M10SPB. Please enquire for availability.

MBS SERIES - STUDED MALE ROD ENDS (METRIC)



Housing: Steel 230M07Pb (Sizes M05 – M12)
 Forged 080M46 (Sizes M14 – M16)
 Zinc Plated and Clear Trivalent Passivate

Race: Bronze SAE660

Ball: Bearing Steel 100Cr6, Hardened and Electro-less Nickel Plated

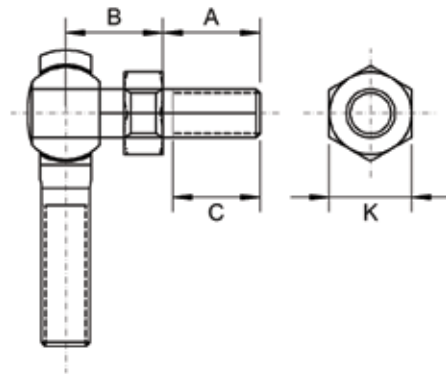
Stud: Steel 230M07Pb, Zinc Plated and Clear Trivalent Passivate

Specification: ELV and RoHS Compliant



Part No. Right Hand	Part No. Left Hand	Stud Size	Thread	A	B	C	K	Static Load Rating (Newtons) Radial
MB-M05S	MBL-M05S	M5X0.50	M5X0.80	10	10	8	9	1,200
MB-M06S	MBL-M06S	M6X1.00	M6X1.00	12	12	10	10	1,930
MB-M08S	MBL-M08S	M8X1.25	M8X1.25	16	16	14	13	3,190
MB-M10S	MBL-M10S	M10X1.50	M10X1.50	20	20	18	17	4,240
MB-M12S	MBL-M12S	M12X1.75	M12X1.75	24	24	21	19	5,720
MB-M14S	MBL-M14S	M14X2.00	M14X2.00	28	28	25	22	7,200
MB-M16S	MBL-M16S	M16X2.00	M16X2.00	29	29	24	24	9,000

MBS SERIES - STUDED MALE ROD ENDS (IMPERIAL)



Housing: Steel 230M07Pb (Sizes 03 – 07)
 Forged 080M46 (Sizes 08 - 10)
 Zinc Plated and Clear Trivalent Passivate

Race: Bronze SAE660

Ball: Bearing Steel 100Cr6, Hardened and Electro-less Nickel Plated

Stud: Steel 230M07Pb, Zinc Plated and Clear Trivalent Passivate

Specification: ELV and RoHS Compliant



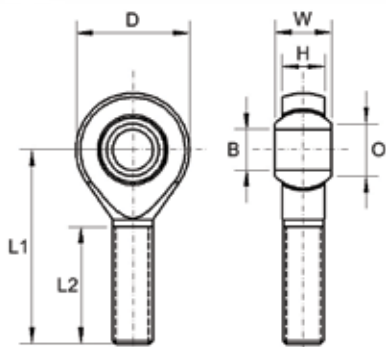
Part No. Right Hand	Part No. Left Hand	Stud Size	Thread	A	B	C	K	Static Load Rating (Newtons) Radial
MB-03S	MBL-03S	3/16 UNF	3/16 UNF	0.500	0.516	0.437	0.312	1,200
MB-04S	MBL-04S	1/4 UNF	1/4 UNF	0.562	0.485	0.500	0.375	1,930
MB-05S	MBL-05S	5/16 UNF	5/16 UNF	0.687	0.547	0.594	0.437	3,190
MB-06S	MBL-06S	3/8 UNF	3/8 UNF	0.906	0.562	0.812	0.500	4,240
MB-07S	MBL-07S	7/16 UNF	7/16 UNF	1.125	0.843	1.000	0.625	5,720
MB-08S	MBL-08S	1/2 UNF	1/2 UNF	1.125	0.875	1.000	0.625	7,200
MB-10S	MBL-10S	5/8 UNF	5/8 UNF	1.125	1.000	1.000	0.750	9,000

B.S.F. threads are available from size MB-04S, (MBL-04S), and above by adding suffix "F" to the part number e.g. MB-08FS, (MBL-08FS). Stainless steel, Grade 303L, rod ends are available by adding suffix "SS" to the part number e.g. MB-M10S-SS, (MBL-M10S-SS).

For stainless steel add 'SS' to part no. For example 'MB-M05S SS'



MALE ROD ENDS



MS SERIES: MS – MSS – MS SS

Description:

MS Series is our 3-piece steel on steel range of male rod ends incorporating a high strength PTFE bronze mesh between the ball and the liner material, suitable for high shock loads and medium to heavy mechanical load applications requiring low friction, available in both metric and imperial bore thread sizes, they do not require maintenance.

Material Specifications:

Housing: Steel 230M07Pb and forged 080M46, zinc plated and clear trivalent passivate and stainless steel 303L and forged 304. Inner Ring: Steel 070M20 zinc plated and clear trivalent passivate. Liner: High strength PTFE bronze mesh composite. Ball: Bearing steel 100Cr6, heat treated, polished & electroless nickel plated and stainless steel 440C

Features:

Metric & imperial thread & bore sizes, low friction, high shock loads. Extended wear life No maintenance Studded and stainless steel options.

Possible Applications:

Medium/heavy industrial/mechanical applications Construction equipment Agricultural equipment Motor sport and recreational vehicles requiring high precision motion control.

Temperature Range:

-200°C to + 260°C

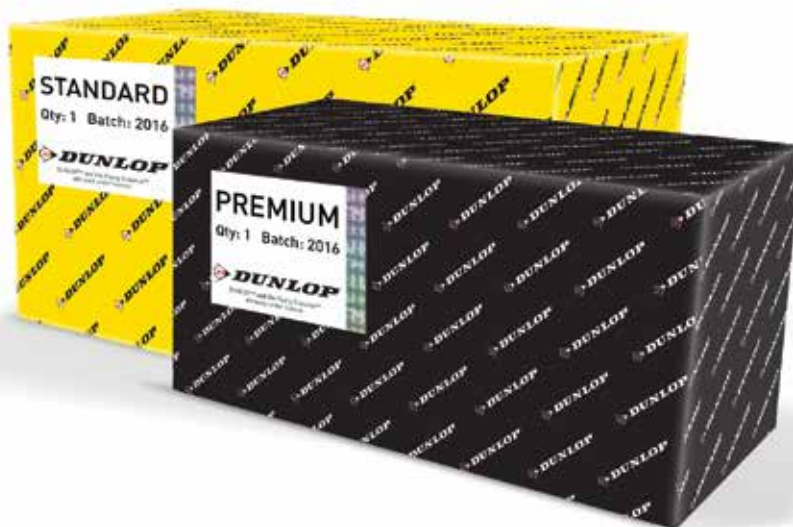
Specification:

ELV & RoHS compliant

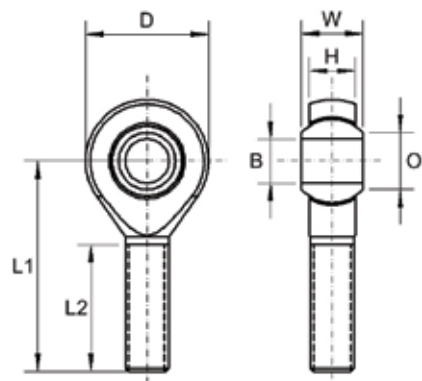
Interchange table

Dunlop	Rose	Aurora	Askubal	SKF	ASAHI	IKO	Fluro
MS-M (metric)	MMC	MM-M-T and MB-M-T	KA-P	SAKB-F	JAM-EC	POS-EC	GASW
MS (imperial)	RMC	MM-T and MB-T	-	-		POSB-EC	

Note: Manufacturers part numbers are used for descriptive purposes only and may not be direct equivalent products.



MS SERIES: MAINTENANCE FREE - ROD ENDS WITH MALE THREAD (METRIC)



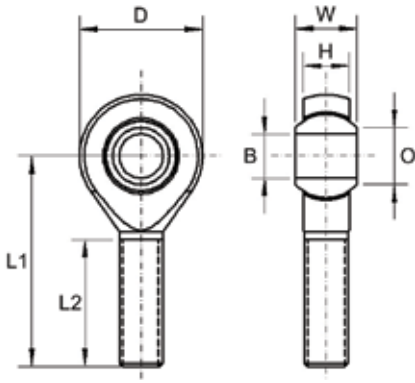
- Housing:** Steel 230M07Pb (Sizes M05 – M12)
Forged 080M46 (Sizes M14 – M25)
Zinc Plated and Clear Trivalent Passivate
- Inner Ring:** Steel 070M20, Zinc Plated and Clear Trivalent Passivate
- Ball:** Bearing Steel 100Cr6, Hardened and Electro-less Nickel Plated
- Liner:** High Strength PTFE composite
- Specification:** ELV and RoHS Compliant



Part No. Right Hand	Part No. Left Hand	Bore Size	Thread	W	H	D	L1	L2	O	Static Load Rating (Newtons) Radial
MS-M05	MSL-M05	5	M5x0.80	8	6.00	18	33	20	7.70	4,300
MS-M06-5	MSL-M06-5	5	M6X1.00	9	6.75	20	36	22	8.90	6,000
MS-M06	MSL-M06	6	M6X1.00	9	6.75	20	36	22	8.90	6,000
MS-M08-6	MSL-M08-6	6	M8X1.25	12	9.00	24	42	25	10.40	11,100
MS-M08-6C	MSL-M08-6C	6	M8X1.00	12	9.00	24	42	25	10.40	11,100
MS-M08	MSL-M08	8	M8X1.25	12	9.00	24	42	25	10.40	11,100
MS-M08C	MSL-M08C	8	M8X1.00	12	9.00	24	42	25	10.40	11,100
MS-M10-8	MSL-M10-8	8	M10X1.50	14	10.50	28	48	29	12.90	17,500
MS-M10-8C	MSL-M10-8C	8	M10X1.25	14	10.50	28	48	29	12.90	17,500
MS-M10	MSL-M10	10	M10X1.50	14	10.50	28	48	29	12.90	17,500
MS-M10C	MSL-M10C	10	M10X1.25	14	10.50	28	48	29	12.90	17,500
MS-M12-10	MSL-M12-10	10	M12X1.75	16	12.00	32	54	33	15.40	23,600
MS-M12-10C	MSL-M12-10C	10	M12X1.25	16	12.00	32	54	33	15.40	23,600
MS-M12	MSL-M12	12	M12X1.75	16	12.00	32	54	33	15.40	23,600
MS-M12C	MSL-M12C	12	M12X1.25	16	12.00	32	54	33	15.40	23,600
MS-M14-12	MSL-M14-12	12	M14X2.00	19	13.50	36	60	38	16.80	29,200
MS-M14-12C	MSL-M14-12C	12	M14X1.50	19	13.50	36	60	38	16.80	29,200
MS-M14	MSL-M14	14	M14X2.00	19	13.50	36	60	38	16.80	29,200
MS-M14C	MSL-M14C	14	M14X1.50	19	13.50	36	60	38	16.80	29,200
MS-M16-14	MSL-M16-14	14	M16X2.00	21	15.00	42	66	40	19.30	32,100
MS-M16-14C	MSL-M16-14C	14	M16X1.50	21	15.00	42	66	40	19.30	32,100
MS-M16	MSL-M16	16	M16X2.00	21	15.00	42	66	40	19.30	32,100
MS-M16C	MSL-M16C	16	M16X1.50	21	15.00	42	66	40	19.30	32,100
MS-M18-16C	MSL-M18-16C	16	M18X1.50	23	16.50	46	72	44	21.80	38,400
MS-M18C	MSL-M18C	18	M18X1.50	23	16.50	46	72	44	21.80	38,400
MS-M20-18	MSL-M20-18	18	M20X2.50	25	18.00	50	78	47	24.30	45,000
MS-M20-18C	MSL-M20-18C	18	M20X1.50	25	18.00	50	78	47	24.30	45,000
MS-M20	MSL-M20	20	M20X2.50	25	18.00	50	78	47	24.30	45,000
MS-M20C	MSL-M20C	20	M20X1.50	25	18.00	50	78	47	24.30	45,000
MS-M22-20	MSL-M22-20	20	M22X1.50	28	20.00	54	84	51	25.80	52,750
MS-M22	MSL-M22	22	M22X1.50	28	20.00	54	84	51	25.80	52,750
MS-M25-20	MSL-M25-20	20	M24X2.00	31	22.00	60	94	57	29.60	60,900
MS-M25	MSL-M25	25	M24X2.00	31	22.00	60	94	57	29.60	60,900

For stainless steel add 'SS' to part no. For example 'MS-M05 SS'

MS SERIES: MAINTENANCE FREE - ROD ENDS WITH MALE THREAD (IMPERIAL)



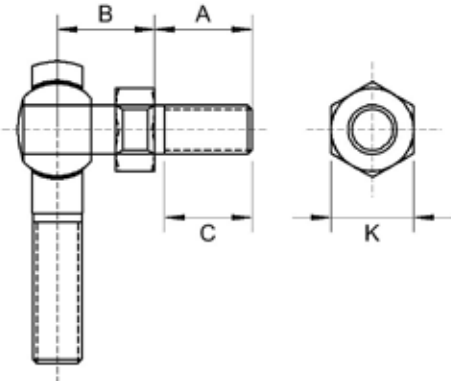
- Housing:** Steel 230M07Pb (Sizes 04 - 07)
Forged 080M46 (Sizes 08 - 12)
Zinc Plated and Clear Trivalent Passivate
- Inner Ring:** Steel 070M20, Zinc Plated and Clear Trivalent Passivate
- Ball:** Bearing Steel 100Cr6, Hardened and Electro-less Nickel Plated
- Liner:** High Strength PTFE Composite
- Specification:** ELV and RoHS Compliant



Part No. Right Hand	Part No. Left Hand	Bore Size	Thread	W	H	D	L1	L2	O	Static Load Rating (Newtons) Radial
MS-04	MSL-04	1/4	1/4 UNF	0.375	0.281	0.812	1.562	1.000	8.40	6,000
MS-04F	MSL-04F	1/4	1/4 BSF	0.375	0.281	0.812	1.562	1.000	8.40	6,000
MS-05-4	MSL-05-4	1/4	5/16 UNF	0.437	0.344	1.000	1.875	1.250	11.35	11,100
MS-05-4F	MSL-05-4F	1/4	5/16 BSF	0.437	0.344	1.000	1.875	1.250	11.35	11,100
MS-05	MSL-05	5/16	5/16 UNF	0.437	0.344	1.000	1.875	1.250	11.35	11,100
MS-05F	MSL-05F	5/16	5/16 BSF	0.437	0.344	1.000	1.875	1.250	11.35	11,100
MS-06-5	MSL-06-5	5/16	3/8 UNF	0.500	0.406	1.125	1.938	1.250	13.10	17,500
MS-06-5F	MSL-06-5F	5/16	3/8 BSF	0.500	0.406	1.125	1.938	1.250	13.10	17,500
MS-06	MSL-06	3/8	3/8 UNF	0.500	0.406	1.125	1.938	1.250	13.10	17,500
MS-06F	MSL-06F	3/8	3/8 BSF	0.500	0.406	1.125	1.938	1.250	13.10	17,500
MS-07-6	MSL-07-6	3/8	7/16 UNF	0.562	0.437	1.250	2.125	1.375	14.90	19,900
MS-07-6F	MSL-07-6F	3/8	7/16 BSF	0.562	0.437	1.250	2.125	1.375	14.90	19,900
MS-07	MSL-07	7/16	7/16 UNF	0.562	0.437	1.250	2.125	1.375	14.90	19,900
MS-07F	MSL-07F	7/16	7/16 BSF	0.562	0.437	1.250	2.125	1.375	14.90	19,900
MS-08-7	MSL-08-7	7/16	1/2 UNF	0.625	0.500	1.375	2.438	1.500	17.75	23,600
MS-08-7F	MSL-08-7F	7/16	1/2 BSF	0.625	0.500	1.375	2.438	1.500	17.75	23,600
MS-08	MSL-08	1/2	1/2 UNF	0.625	0.500	1.375	2.438	1.500	17.75	23,600
MS-08F	MSL-08F	1/2	1/2 BSF	0.625	0.500	1.375	2.438	1.500	17.75	23,600
MS-10-8	MSL-10-8	1/2	5/8 UNF	0.750	0.562	1.750	2.625	1.625	21.30	32,100
MS-10-8F	MSL-10-8F	1/2	5/8 BSF	0.750	0.562	1.750	2.625	1.625	21.30	32,100
MS-10	MSL-10	5/8	5/8 UNF	0.750	0.562	1.750	2.625	1.625	21.30	32,100
MS-10F	MSL-10F	5/8	5/8 BSF	0.750	0.562	1.750	2.625	1.625	21.30	32,100
MS-12-10	MSL-12-10	5/8	3/4 UNF	0.875	0.687	2.000	2.875	1.750	24.80	45,000
MS-12-10F	MSL-12-10F	5/8	3/4 BSF	0.875	0.687	2.000	2.875	1.750	24.80	45,000
MS-12	MSL-12	3/4	3/4 UNF	0.875	0.687	2.000	2.875	1.750	24.80	45,000
MS-12F	MSL-12F	3/4	3/4 BSF	0.875	0.687	2.000	2.875	1.750	24.80	45,000

For stainless steel add 'SS' to part no. For example 'MS-04 SS'

MSS SERIES: STUDED MALE ROD ENDS (METRIC)

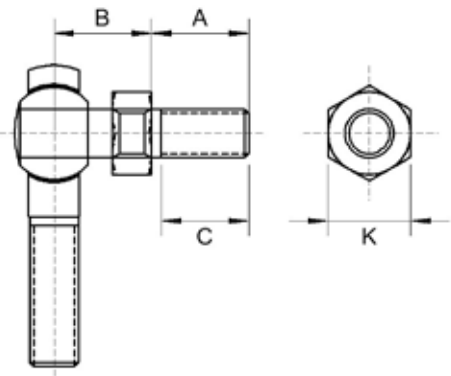


- Housing:** Steel 230M07Pb (Sizes M05 – M12)
Forged 080M46 (Sizes M14 – M16)
Zinc Plated and Clear Trivalent Passivate
- Inner Ring:** Steel 070M20, Zinc Plated and Clear Trivalent Passivate
- Ball:** Bearing Steel 100Cr6, Hardened and Electro-less Nickel Plated
- Stud:** Steel 230M07Pb, Zinc Plated and Clear Trivalent Passivate
- Liner:** High Strength PTFE Composite
- Specification:** ELV and RoHS Compliant



Part No. Right Hand	Part No. Left Hand	Stud Size	Thread	A	B	C	K	Static Load Rating (Newtons) Radial
MS-M05S	MSL-M05S	M5X0.80	M5x0.80	10	10	8	9	1,200
MS-M06S	MSL-M06S	M6X1.00	M6X1.00	12	12	10	10	1,930
MS-M08S	MSL-M08S	M8X1.25	M8X1.25	16	16	14	13	3,190
MS-M10S	MSL-M10S	M10X1.50	M10X1.50	20	20	18	17	4,240
MS-M12S	MSL-M12S	M12X1.75	M12X1.75	24	24	21	19	5,720
MS-M14S	MSL-M14S	M14X2.00	M14X2.00	28	28	25	22	7,200
MS-M16S	MSL-M16S	M16X2.00	M16X2.00	29	29	24	24	9,000

MSS SERIES: STUDED MALE ROD ENDS (IMPERIAL)



- Housing:** Steel 230M07Pb (Sizes 04 - 07)
Forged 080M46 (Sizes 08 - 10)
Zinc Plated and Clear Trivalent Passivate
- Inner Ring:** Steel 070M20, Zinc Plated and Clear Trivalent Passivate
- Ball:** Bearing Steel 100Cr6, Hardened and Electro-less Nickel Plated
- Stud:** Steel 230M07Pb, Zinc Plated and Clear Trivalent Passivate
- Liner:** High Strength PTFE Composite
- Specification:** ELV and RoHS Compliant



Part No. Right Hand	Part No. Left Hand	Stud Size	Thread	A	B	C	K	Static Load Rating (Newtons) Radial
MS-04S	MSL-04S	1/4 UNF	1/4 UNF	0.562	0.485	0.500	0.375	1,200
MS-05S	MSL-05S	5/16 UNF	5/16 UNF	0.687	0.547	0.594	0.437	3,190
MS-06S	MSL-06S	3/8 UNF	3/8 UNF	0.906	0.562	0.812	0.500	4,240
MS-07S	MSL-07S	7/16 UNF	7/16 UNF	1.125	0.843	1.000	0.625	5,720
MS-08S	MSL-08S	1/2 UNF	1/2 UNF	1.125	0.875	1.000	0.625	7,200
MS-10S	MSL-10S	5/8 UNF	5/8 UNF	1.125	1.000	1.000	0.750	9,000

For stainless steel add 'SS' to part no. For example 'MS-M05S SS'



MALE ROD ENDS

MSX SERIES

Description:

MSX series is our 3-piece steel on steel high strength range of male rod ends designed for motorsport and heavy industrial mechanical load applications. Incorporating a high strength PTFE bronze mesh between the ball and the liner material, suitable for high shock loads and heavy mechanical load applications requiring low friction, available in both metric and imperial bore and thread sizes, they do not require maintenance.

Material Specifications:

Housing: Steel 708M40, heat treated, zinc plated and clear trivalent passivate. Inner Ring: Steel 070M20, zinc plated and clear trivalent passivate and stainless steel 304C. Liner High strength PTFE bronze mesh composite. Ball: 100Cr6 heat treated, polished and electroless Nickel plated and stainless steel 440C

Features:

Metric & imperial thread & bore sizes, low friction, high shock loads. Extended wear life No maintenance Studded and stainless steel options.

Possible Applications:

Medium/heavy industrial/mechanical applications Construction equipment Agricultural equipment Motor sport and recreational vehicles requiring high precision motion control.

Temperature Range:

-200°C to + 260°C

Specification:

ELV & RoHS compliant

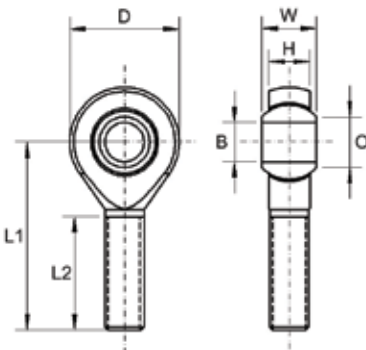


Interchange table

Dunlop	Aurora	Fluro
MSX MS-M (metric)	AM-M-T and AB-M-T	GAXSW
MSX MS (imperial)	AM-T and AB-T	

Note: Manufacturers part numbers are used for descriptive purposes only and may not be direct equivalent products.

MSX SERIES: MAINTENANCE FREE ROD ENDS WITH MALE THREAD (IMPERIAL)

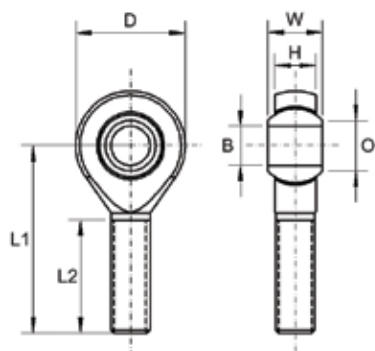


- Housing:** Steel 708M40, Heat Treated, Zinc Plated and Clear Trivalent Passivate
- Inner Ring:** Steel 070M20, Zinc Plated and Clear Trivalent Passivate
- Ball:** Bearing Steel 100Cr6, Hardened and Electro-less Nickel Plated
- Liner:** High Strength PTFE Composite
- Temp Range:** -200°C to +260°C
- Specification:** ELV and RoHS Compliant



Part No. Right Hand	Part No. Left Hand	Bore size	Thread	W	H	D	L1	L2	Static Load Rating (Newtons) Radial
MSX-04-3	MSLX-04-3	3/16	1/4 UNF	0.375	0.281	0.812	1.562	1.000	9800
MSX-04	MSLX-04	1/4	1/4 UNF	0.375	0.281	0.812	1.562	1.000	9800
MSX-05-4	MSLX-05-4	1/4	5/16 UNF	0.437	0.344	1.000	1.875	1.250	19800
MSX-05	MSLX-05	5/16	5/16 UNF	0.437	0.344	1.000	1.875	1.250	19800
MSX-06-5	MSLX-06-5	5/16	3/8 UNF	0.500	0.406	1.125	1.938	1.250	31500
MSX-06	MSLX-06	3/8	3/8 UNF	0.500	0.406	1.125	1.938	1.250	31500
MSX-07-6	MSLX-07-6	3/8	7/16 UNF	0.562	0.437	1.250	2.125	1.375	35000
MSX-07	MSLX-07	7/16	7/16 UNF	0.562	0.437	1.250	2.125	1.375	35000
MSX-08-7	MSLX-08-7	7/16	1/2 UNF	0.625	0.500	1.375	2.438	1.500	42000
MSX-08	MSLX-08	1/2	1/2 UNF	0.625	0.500	1.375	2.438	1.500	42000
MSX-10-8	MSLX-10-8	1/2	5/8 UNF	0.750	0.562	1.750	2.625	1.625	67000
MSX-10	MSLX-10	5/8	5/8 UNF	0.750	0.562	1.750	2.625	1.625	67000
MSX-12-10	MSLX-12-10	5/8	3/4 UNF	0.875	0.687	2.000	2.875	1.750	93500
MSX-12	MSLX-12	3/4	3/4 UNF	0.875	0.687	2.000	2.875	1.750	93500

MSX SERIES: MAINTENANCE FREE ROD ENDS WITH MALE THREAD (METRIC)



- Housing:** Steel 708M40, Heat Treated, Zinc Plated and Clear Trivalent Passivate
- Inner Ring:** Steel 070M20, Zinc Plated and Clear Trivalent Passivate
- Ball:** Bearing Steel 100Cr6, Hardened and Electro-less Nickel Plated
- Liner:** High Strength PTFE Composite
- Temp Range:** -200°C to +260°C
- Specification:** ELV and RoHS Compliant



Part No. Right Hand	Part No. Left Hand	Bore size	Thread	W	H	D	L1	L2	Static Load Rating (Newtons) Radial
MSX-M05	MSLX-M05	5	M5x0.80	8	6.00	18	33	20	8000
MSX-M06-5	MSLX-M06-5	5	M6x1.00	9	6.75	20	36	22	9800
MSX-M06	MSLX-M06	6	M6x1.00	9	6.75	20	36	22	9800
MSX-M08-6	MSLX-M08-6	6	M8x1.25	12	9.00	24	42	25	19500
MSX-M08	MSLX-M08	8	M8x1.25	12	9.00	24	42	25	19500
MSX-M10-8	MSLX-M10-8	8	M10x1.50	14	10.50	28	48	29	31500
MSX-M10-8C	MSLX-M10-8C	8	M10x1.25	14	10.50	28	48	29	31500
MSX-M10	MSLX-M10	10	M10x1.50	14	10.50	28	48	29	31500
MSX-M10C	MSLX-M10C	10	M10x1.25	14	10.50	28	48	29	31500
MSX-M12-10	MSLX-M12-10	10	M12x1.75	16	12.00	32	54	33	42000
MSX-M12-10C	MSLX-M12-10C	10	M12x1.25	16	12.00	32	54	33	42000
MSX-M12	MSLX-M12	12	M12x1.75	16	12.00	32	54	33	42000
MSX-M12C	MSLX-M12C	12	M12x1.25	16	12.00	32	54	33	42000
MSX-M14	MSLX-M14	14	M14x2.00	19	13.50	36	60	38	57000
MSX-M14C	MSLX-M14C	14	M14x1.50	19	13.50	36	60	38	57000
MSX-M16-14	MSLX-M16-14	14	M16x2.00	21	15.00	42	66	40	67000
MSX-M16-14C	MSLX-M16-14C	14	M16x1.50	21	15.00	42	66	40	67000
MSX-M16	MSLX-M16	16	M16x2.00	21	15.00	42	66	40	67000
MSX-M16C	MSLX-M16C	16	M16x1.50	21	15.00	42	66	40	67000
MSX-M20-16	MSLX-M20-16	16	M20x2.50	25	18.00	50	78	47	93500
MSX-M20-16C	MSLX-M20-16C	16	M20x1.50	25	18.00	50	78	47	93500
MSX-M20	MSLX-M20	20	M20x2.50	25	18.00	50	78	47	93500
MSX-M20C	MSLX-M20C	20	M20x1.50	25	18.00	50	78	47	93500

For stainless steel add 'SS' to part no. For example 'MSX-M05 SS'



MALE ROD ENDS

MX SERIES

Description:

MX series Rod Ends have been developed for use in General Engineering applications where medium to high loads are encountered. Within their load carrying capacity they will withstand shock loading and high frequency oscillation.

Material Specifications:

Housing: 817M 40, heat treated to 80/90 tons/in² tensile, Phosphated all over.
Ball: 100Cr 6, heat treated, Phosphated all over.

Features:

Metric and Imperial sizes available
Can be used in application involving shock loading and high frequency oscillation.

Possible Applications:

Medium / heavy industrial/mechanical applications
Construction equipment
Agricultural equipment and motor sport.

Temperature Range:

-40°C to +150°C

Specification:

ELV & RoHS compliant

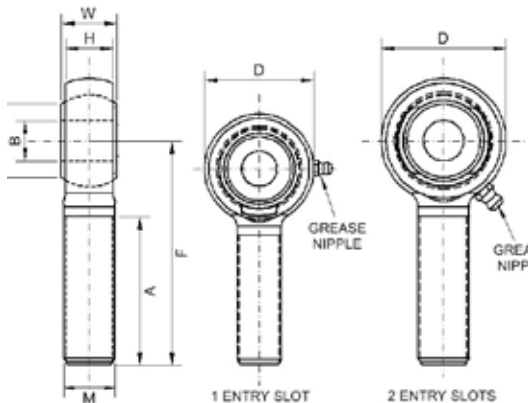


Interchange table

Dunlop	Rose	NMB
MX-M (metric)	RBJ-M	RBJ-M
MX (imperial)	RBJ	RBJ

Note: Manufacturers part numbers are used for descriptive purposes only and may not be direct equivalent products.

MX SERIES: MAINTENANCE REQUIRED ROD ENDS WITH MALE THREAD (METRIC)



Housing: Forged 817M40, Heat Treated to 80/90 tons/in² tensile and Phosphate all over

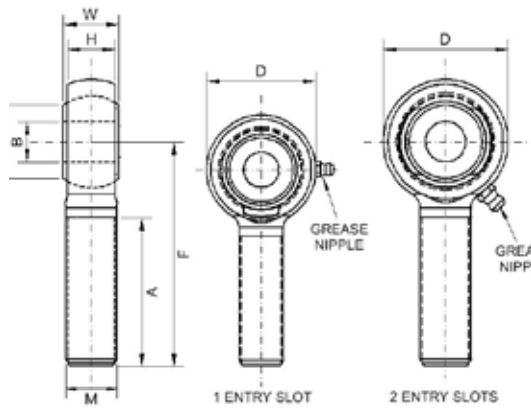
Ball: Bearing Steel 100Cr6, Heat Treated and Phosphate all over

Specification: ELV and RoHS Compliant



Part No. Right Hand	Part No. Left Hand	B	W	H	O	D	F	A	M	X	Static Load Rating (Newtons) Radial
MX-M08-6C	MXL-M08-6C	6	9,5	8,1	9,5	20,6	41,5	26	M8 x 1.00	22	11770
MX-M08-6	MXL-M08-6	6	9,5	8,1	9,5	20,6	41,5	26	M8 x 1.25	22	11770
MX-M10-8C	MXL-M10-8C	8	11,0	9,5	11,0	23,8	47,5	31	M10 x 1.25	21	19610
MX-M10-8	MXL-M10-8	8	11,0	9,5	11,0	23,8	47,5	31	M10 x 1.50	21	19610
MX-M12-10CG	MXL-M12-10CG	10	14,2	12,2	14,2	31,0	60,5	40	M12 x 1.25	22	27460
MX-M12-10G	MXL-M12-10G	10	14,2	12,2	14,2	31,0	60,5	40	M12 x 1.75	22	27460
MX-M16-12CG	MXL-M16-12CG	12	19,0	16,2	19,0	41,2	76,0	50	M16 x 1.50	22	49030
MX-M16-12G	MXL-M16-12G	12	19,0	16,2	19,0	41,2	76,0	50	M16 x 2.00	22	49030
MX-M20-16CG	MXL-M20-16CG	16	22,2	19,0	22,2	49,2	89,0	59	M20 x 1.50	21	77470
MX-M20-16G	MXL-M20-16G	16	22,2	19,0	22,2	49,2	89,0	59	M20 x 2.50	21	77470
MX-M24-20G	MXL-M24-20G	20	22,2	20,6	25,4	54,0	101,5	69	M24 x 2.00	16	110810

MX SERIES: MAINTENANCE REQUIRED ROD ENDS WITH MALE THREAD (IMPERIAL)



Housing: Forged 817M40, Heat Treated to 80/90 tons/in² tensile and Phosphate all over

Ball: Bearing Steel 100Cr6, Heat Treated and Phosphate all over

Specification: ELV and RoHS Compliant



Part No. Right Hand	Part No. Left Hand	B	W	H	O	D	F	A	M	X	Static Load Rating (Newtons) Radial
MX-05-4	MXL-05-4	.2500	.375	.320	.375	.812	1.625	1.062	5/16 UNF	22	11770
MX-05-4F	MXL-05-4F	.2500	.375	.320	.375	.812	1.625	1.062	5/16 BSF	22	11770
MX-06-5	MXL-06-5	.3125	.437	.375	.437	.937	1.875	1.250	3/8 UNF	21	19610
MX-06-5F	MXL-06-5F	.3125	.437	.375	.437	.937	1.875	1.250	3/8 BSF	21	19610
MX-08-6G	MXL-08-6G	.3750	.562	.480	.562	1.218	2.375	1.625	1/2 UNF	22	27460
MX-08-6FG	MXL-08-6FG	.3750	.562	.480	.562	1.218	2.375	1.625	1/2 BSF	22	27460
MX-10-8G	MXL-10-8G	.5000	.750	.640	.750	1.625	3.000	2.000	5/8 UNF	22	49030
MX-10-8FG	MXL-10-8FG	.5000	.750	.640	.750	1.625	3.000	2.000	5/8 BSF	22	49030
MX-12-10G	MXL-12-10G	.6250	.875	.750	.875	1.937	3.500	2.375	3/4 UNF	21	77470
MX-12-10FG	MXL-12-10FG	.6250	.875	.750	.875	1.937	3.500	2.375	3/4 BSF	21	77470
MX-14-12G	MXL-14-12G	.7500	.875	.812	1.000	2.125	4.000	2.750	7/8 UNF	16	110810
MX-14-12FG	MXL-14-12FG	.7500	.875	.812	1.000	2.125	4.000	2.750	7/8 BSF	16	110810
MX-20F-16G	MXL-20F-16G	1.0000	1.375	1.0000	1.375	3.000	5.250	3.500	1 1/4 UNF	24	150250
MX-20F-16FG	MXL-20F-16FG	1.0000	1.375	1.0000	1.375	3.000	5.250	3.500	1 1/4 BSF	24	150250



'G' in part number denotes grease nipple is fitted.

“We are proud to be a European manufacturer; it is a privilege to supply our products to some of the world’s most prestigious original equipment manufacturers in the Agricultural, Automotive, Construction, Industrial and Motor Sport sectors”.



“Our distributor network is vital to the continued global growth of the DUNLOP brand and our valued distributor partners form the perfect link between manufacturer and end user”.



“Our commitment to our staff, our customers and the environment is of paramount importance to our company, we will continue to develop our organisational skills to further enhance our company’s potential, to engage in sustainable practices and anticipate the needs and expectations of our customers”.



“We love our products”.

Ray Mifsud, Managing Director.

A handwritten signature in black ink, appearing to read 'R. Mifsud'.

#WeLoveOurProducts





LINKAGES

DUNLOP BTL Ltd, MPT House, Brunswick Road, Cobbs Wood Industrial Estate, Ashford, Kent TN23 1EL, UK
T: +44 (0)1233 663340 • F: +44 (0)1233 664440 • E: sales@dunlopbt.com • W: www.dunlopbt.com

DUNLOP™ and the Flying D device™ are used under licence